
8 Parts and diagrams

 **NOTE:** In this chapter, part numbers are only listed for available replaceable parts.

- [Order parts, accessories, and supplies](#)
- [Supplies part numbers](#)
- [Screws](#)
- [How to use the parts lists and diagrams](#)
- [Covers, panels, and doors](#)
- [Internal assemblies](#)
- [Alphabetical parts list](#)
- [Numerical parts list](#)

Order parts, accessories, and supplies

Several methods are available for ordering parts, supplies, and accessories.

Order directly from HP

You can obtain the following items directly from HP:

- **Replacement parts:** To order replacement parts in the U.S., go to www.hp.com/go/hpparts. Outside the United States, order parts by contacting your local authorized HP service center.
- **Supplies and accessories:** To order supplies in the U.S., go to www.hp.com/go/ljsupplies. To order supplies worldwide, go to www.hp.com/ghp/buyonline.html. To order accessories, go to www.hp.com/support/ljcp1210series or www.hp.com/support/ljcp1510series.

Order through service or support providers

To order a part or accessory, contact an HP-authorized service or support provider.

Order directly through the software

HP Color LaserJet CP1210 Series Toolbox and HP ToolboxFX are product management tools designed to make product configuration, monitoring, supplies ordering, troubleshooting, and updating as simple and efficient as possible.

Supplies part numbers

Table 8-1 Spare parts and replacement supplies

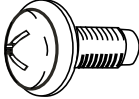

Part	Part number	Type/size
Print cartridges	CB540A	Black print cartridge with HP ColorSphere toner
For information about the yield for the cartridges, see www.hp.com/go/pageyield . Actual yield depends on specific use.	CB541A	Cyan print cartridge with HP ColorSphere toner
	CB542A	Yellow print cartridge with HP ColorSphere toner
	CB543A	Magenta print cartridge with HP ColorSphere toner
Cables	C6518A	USB 2.0 printer cable (2-meter [6.5-foot] standard)
	CC378-60101	USB cable for photo card PCA (HP Color LaserJet CP1510)
Memory	CB421A	64 MB DDR2 144 pin SDRAM DIMM
	CB422A	128 MB DDR2 144 pin SDRAM DIMM
	CB423A	256 MB DDR2 144 pin SDRAM DIMM

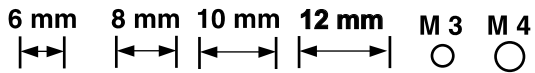
Table 8-1 Spare parts and replacement supplies (continued)

Part	Part number	Type/size	
Media	C2934A	50 sheets HP Color LaserJet Transparencies (letter)	
	C2936A	50 sheets HP Color Laser Transparencies (A4)	
	Q1298A	HP LaserJet Tough paper (letter)	
	Q1298B	HP LaserJet Tough paper (A4)	
	HPU1132	500 sheets HP Premium Choice LaserJet paper (letter)	
	CHP410	500 sheets HP Premium Choice LaserJet paper (A4)	
	HPJ1124	500 sheets HP LaserJet paper (letter)	
	CHP310	500 sheets HP LaserJet paper (A4)	
	Q6608A	100 sheets HP Color Laser Photo Paper, glossy	
	Q6611A	150 sheets HP Color Laser Brochure Paper, glossy (letter)	
	Q6541A	200 sheets HP Presentation Laser Paper, soft gloss (letter)	
	Q6543A	150 sheets HP Brochure Laser Paper, matte (letter)	
	Q2546A	300 sheets HP Presentation laser paper, glossy	
	Q6549A	100 sheets HP Photo Paper, matte (letter)	
	HPL285R	500 sheets HP Color Laser Paper (letter)	
	Reference materials	5851-1468	<i>HP LaserJet Printer Family Print Media Specification Guide</i>

Screws

Table 8-2 Common fasteners

Example	Description	Size	Part Number
	Screw, with washer	M3X8	XA9-1449-000CN
	Screw	M3X8	XA9-1671-000CN



How to use the parts lists and diagrams

The figures in this chapter show the major subassemblies in the product and their component parts. A parts list table follows each exploded view assembly diagram. Each table lists the item number, the associated part number, and the description of each part. If a part is not listed in the table, then it is not a field replacement unit (FRU).

△ **CAUTION:** Be sure to order the correct part. When looking for part numbers for electrical components, pay careful attention to the voltage that is listed in the description column. Doing so will ensure that the part number selected is for the correct all-in-one model.

📄 **NOTE:** In this manual, the abbreviation “PCA” stands for “printed circuit board assembly.” Components described as a PCA might consist of a single circuit board or a circuit board plus other parts, such as cables and sensors.

Covers, panels, and doors

Figure 8-1 Covers, panels, and doors (HP Color LaserJet CP1210 Series Printer)

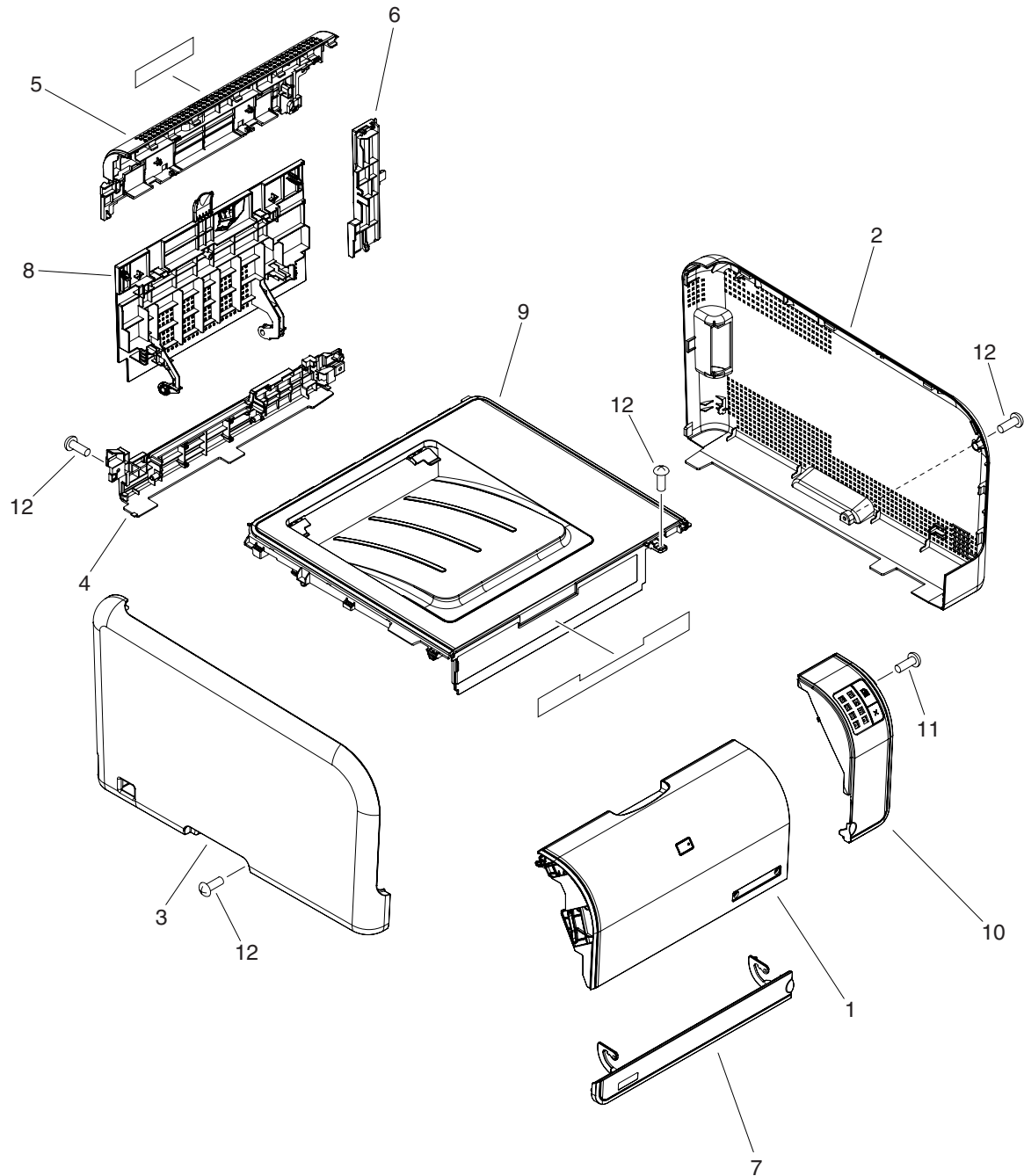


Table 8-3 Covers, panels, and doors (HP Color LaserJet CP1210 Series Printer)

Ref	Description	Part number	Qty
1	Door, front	RC2-1786-000CN	1
2	Cover, right	RC2-1788-000CN	1
3	Cover, left	RC2-1789-000CN	1
4	Cover, rear, lower	RC2-1790-000CN	1
5	Cover, rear, upper	RC2-1791-000CN	1
6	Cover, rear, center	RC2-2875-000CN	1
7	Cover, priority slot (jam-access door)	RC2-2005-000CN	1
8	Door, rear	RC2-2115-000CN	1
9	Cover, upper (top cover)	RM1-4465-000CN	1
10	Control-panel assembly	RM1-4468-000CN	1
11	Screw, with washer, M3X8	XA9-1449-000CN	1
12	Screw, M3X8	XA9-1671-000CN	5

Figure 8-2 Covers, panels, and doors (HP Color LaserJet CP1510 Series Printer)

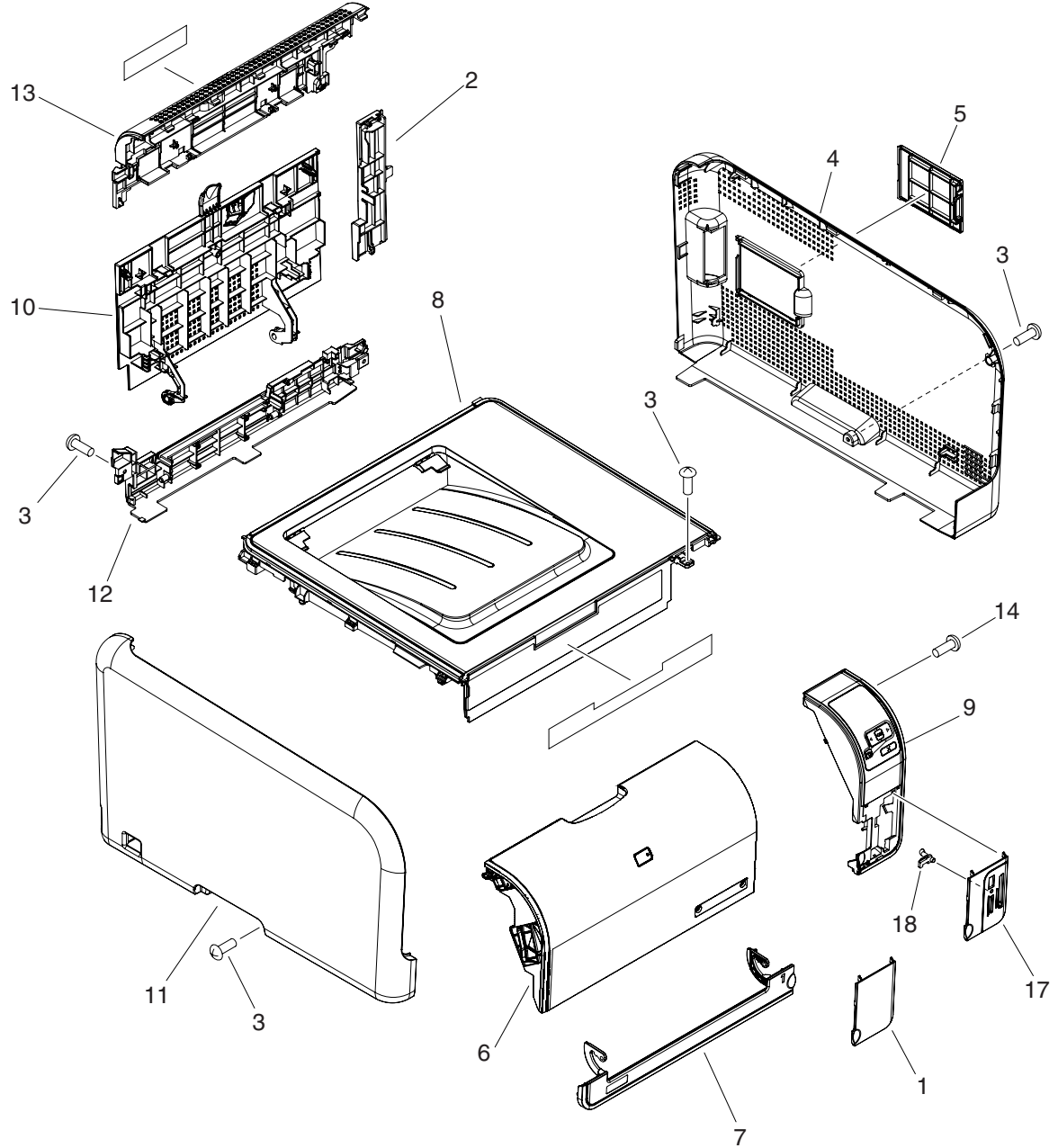


Table 8-4 Covers, panels, and doors (HP Color LaserJet CP1510 Series Printer)

Ref	Description	Part number	Qty
1	Cover, photo-card	RC2-3079-000CN	1
2	Cover, rear, center	RC2-3076-000CN	1
3	Screw, M3X8	XA9-1671-000CN	6
4	Cover, right	RC2-1797-000CN	1
5	Cover, DIMM	RC2-1798-000CN	1
6	Door, front assembly	RM1-4461-000CN	1
7	Cover, priority slot	RM1-4463-000CN	1
8	Cover, upper (top cover)	RM1-4466-000CN	1
9	Control-panel assembly	RM1-4469-000CN	1
10	Door, rear	RC2-3077-000CN	1
11	Cover, left	RC2-3073-000CN	1
12	Cover, rear, lower	RC2-3074-000CN	1
13	Cover, rear, upper	RC2-3075-000CN	1
14	Screw, with washer, M3X8	XA9-1449-000CN	1
17	Cover, photo-card	RC2-2916-000CN	1
18	Guide, light	RC2-3098-000CN	1

Internal assemblies

Figure 8-3 Internal components (1 of 4)

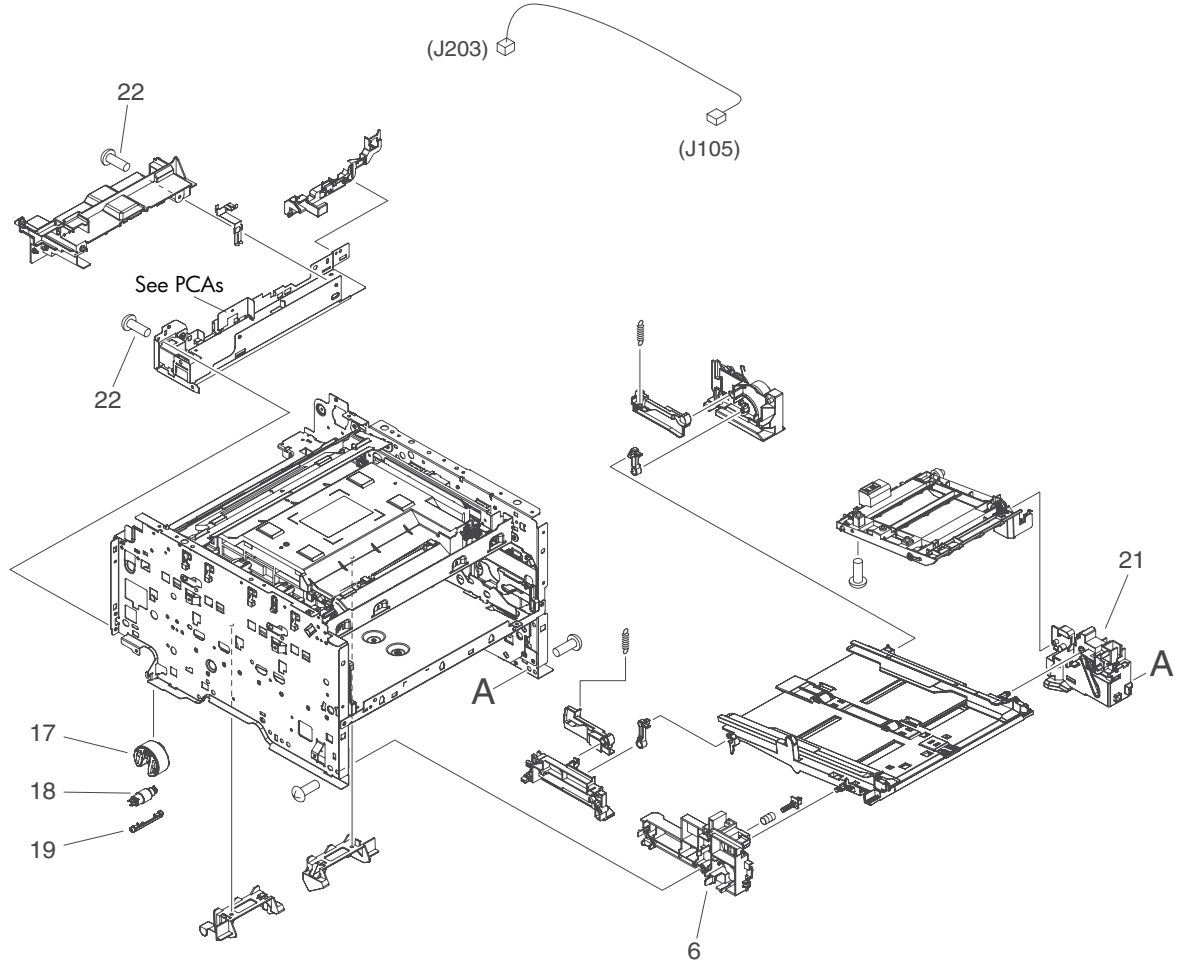


Table 8-5 Internal components (1 of 4)

Ref	Description	Part number	Qty
6	Rail, cassette, left-front	RC2-1878-000CN	1
17	Roller, pickup assembly	RM1-4426-000CN	1
18	Roller, separation assembly	RM1-4425-000CN	1
19	Cover, holder	RC2-2014-000CN	1
21	Rail, cassette, right-front	RL1-1849-000CN	1
22	Screw, M3X8	XA9-1671-000CN	6

Figure 8-4 Internal components (2 of 4)

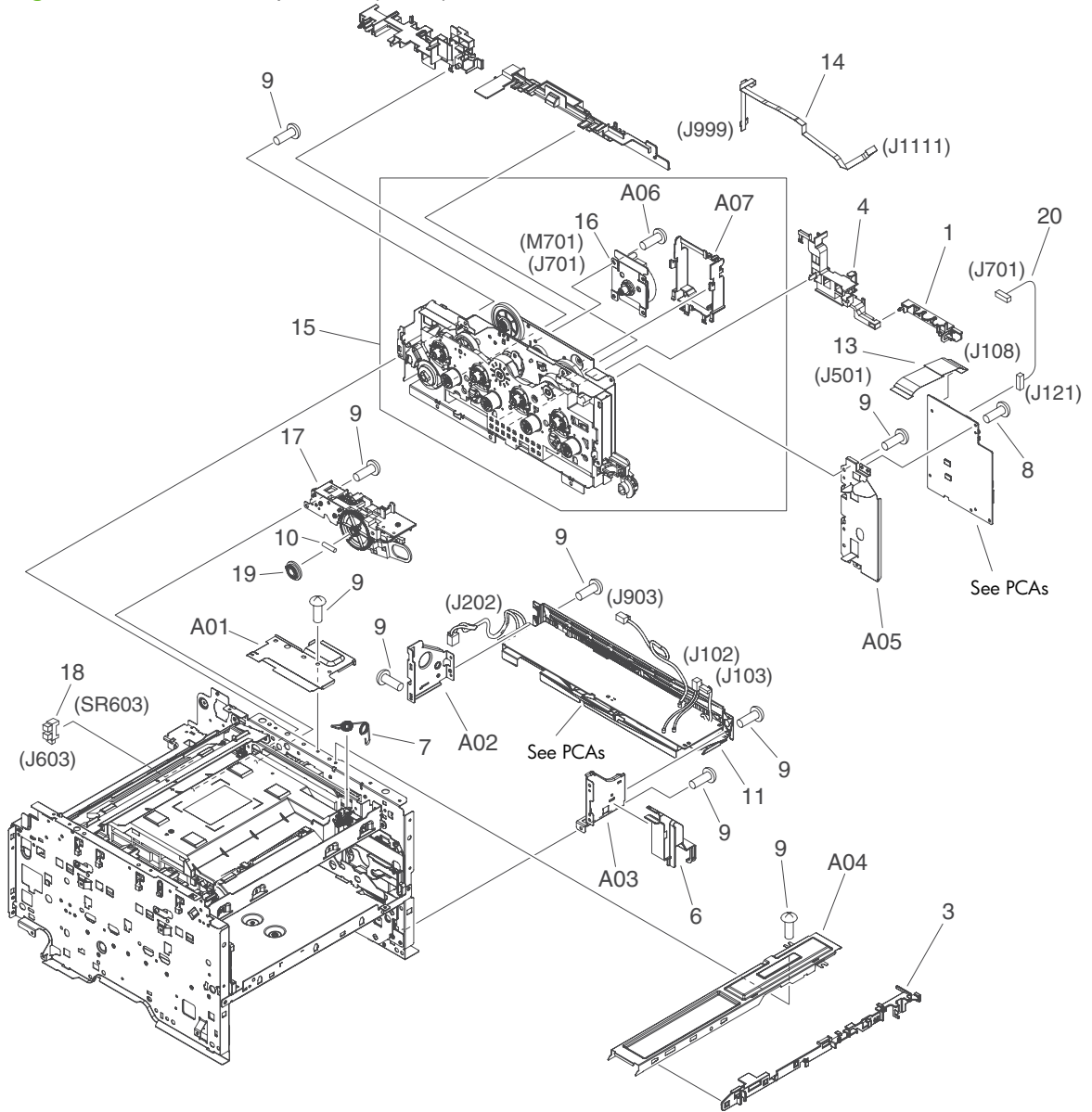


Table 8-6 Internal components (2 of 4)

Ref	Description	Part number	Qty
8	Screw, with washer, M3X8	XA9-1449-000CN	4
9	Screw, M3X8	XA9-1671-000CN	26
13	Cable, flat (FFC)	RK2-1955-000CN	1
14	Cable, flat (FFC), HP Color LaserJet CP1210 Series	RK2-1960-000CN	1
14	Cable, flat (FFC), HP Color LaserJet CP1510 Series	RK2-1959-000CN	1

Figure 8-5 Internal components (3 of 4)

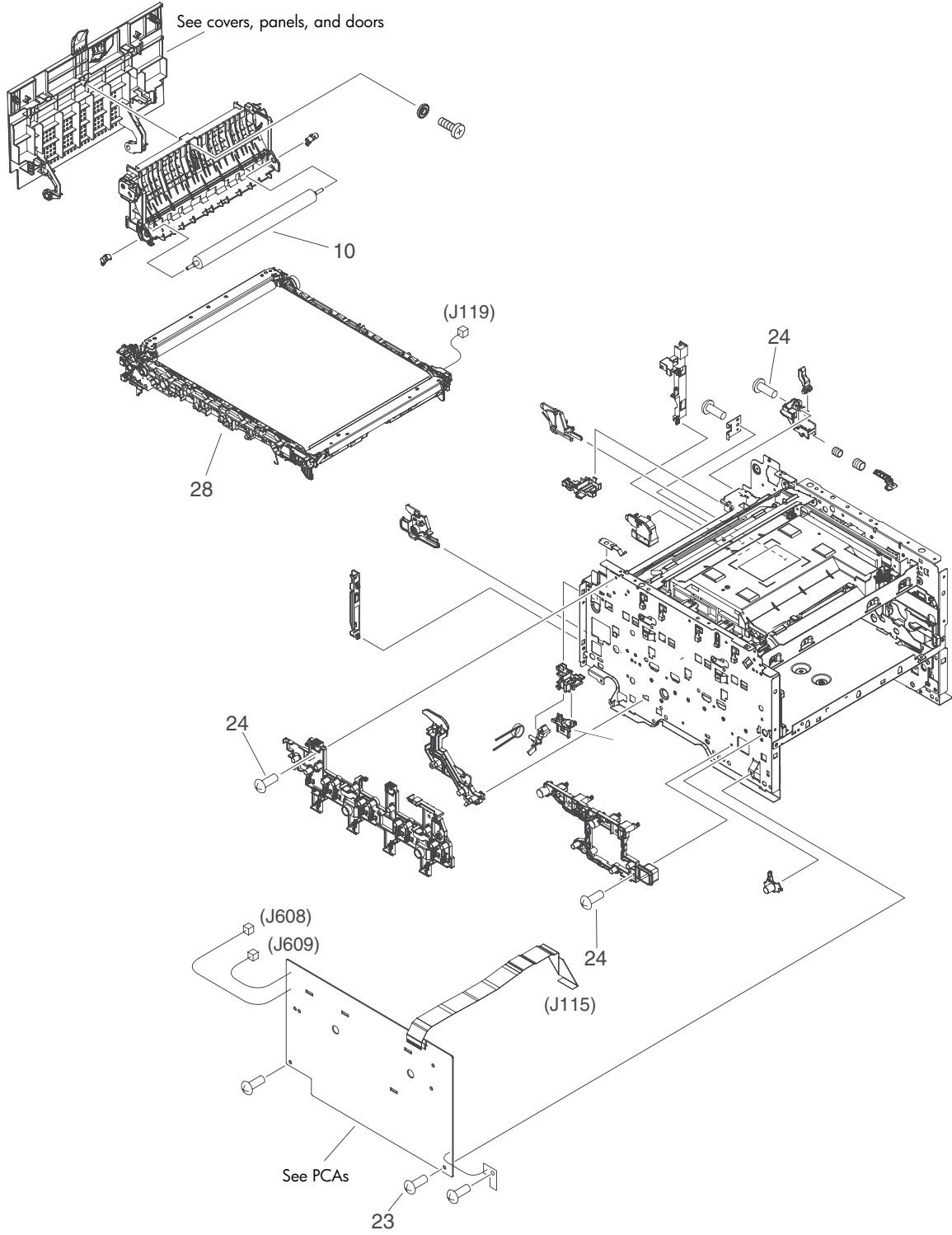


Table 8-7 Internal components (3 of 4)

Ref	Description	Part number	Qty
10	Secondary transfer roller	RM1-4445-000CN	1
23	Screw, with washer, M3X8	XA9-1449-000CN	4
24	Screw, M3X8	XA9-1671-000CN	26
28	Intermediate transfer belt assembly (ITB)	RM1-4436-000CN	1

Figure 8-6 Internal components (4 of 4)

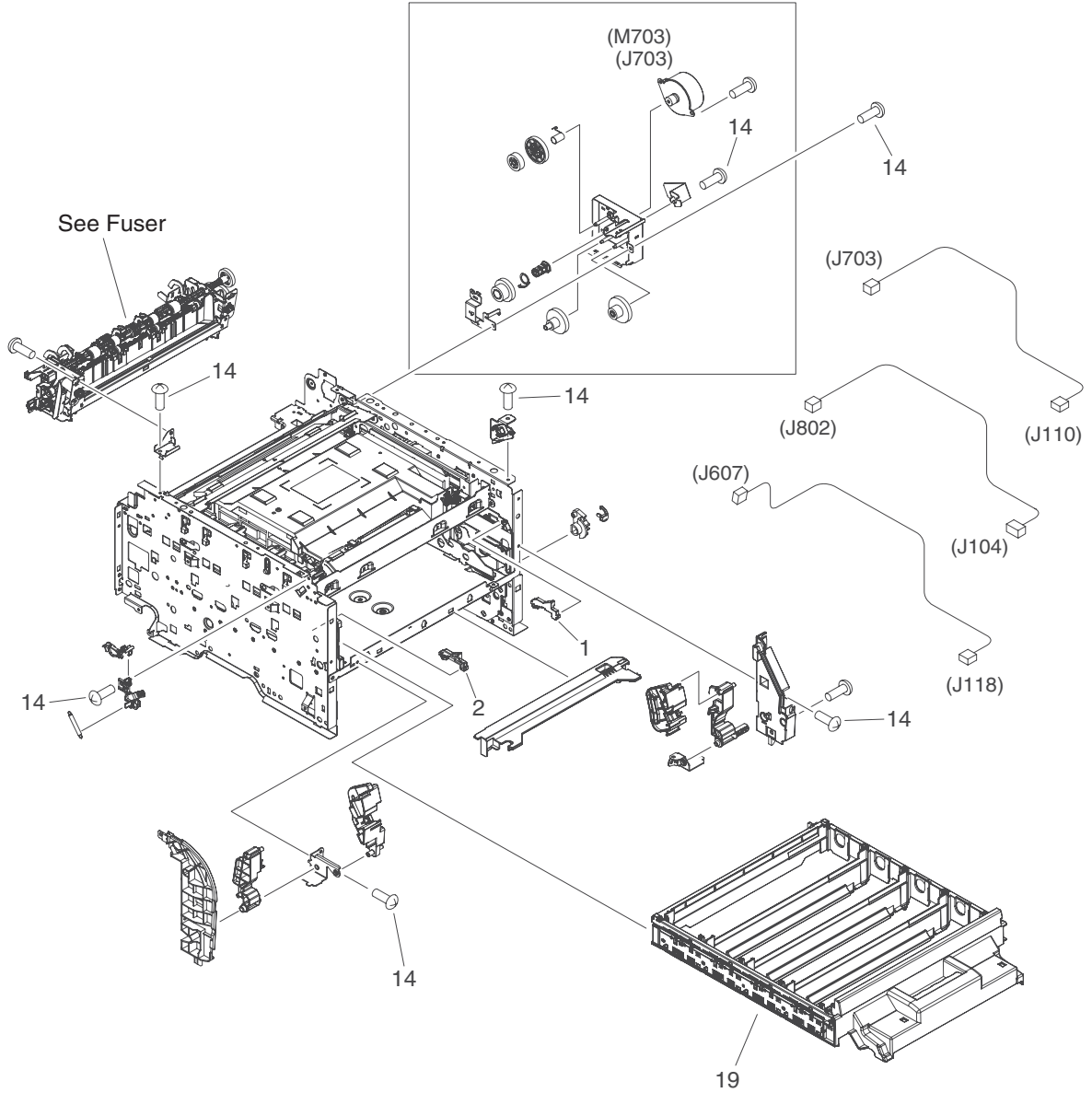


Table 8-8 Internal components (4 of 4)

Ref	Description	Part number	Qty
1	Clamp, cartridge tray (drawer), right	RC2-3109-000CN	1
2	Clamp, cartridge tray (drawer), left	RC2-3108-000CN	1
14	Screw, M3X8	XA9-1671-000CN	1
19	Cartridge tray assembly (drawer)	RM1-4428-000CN	1

Figure 8-7 Cassette

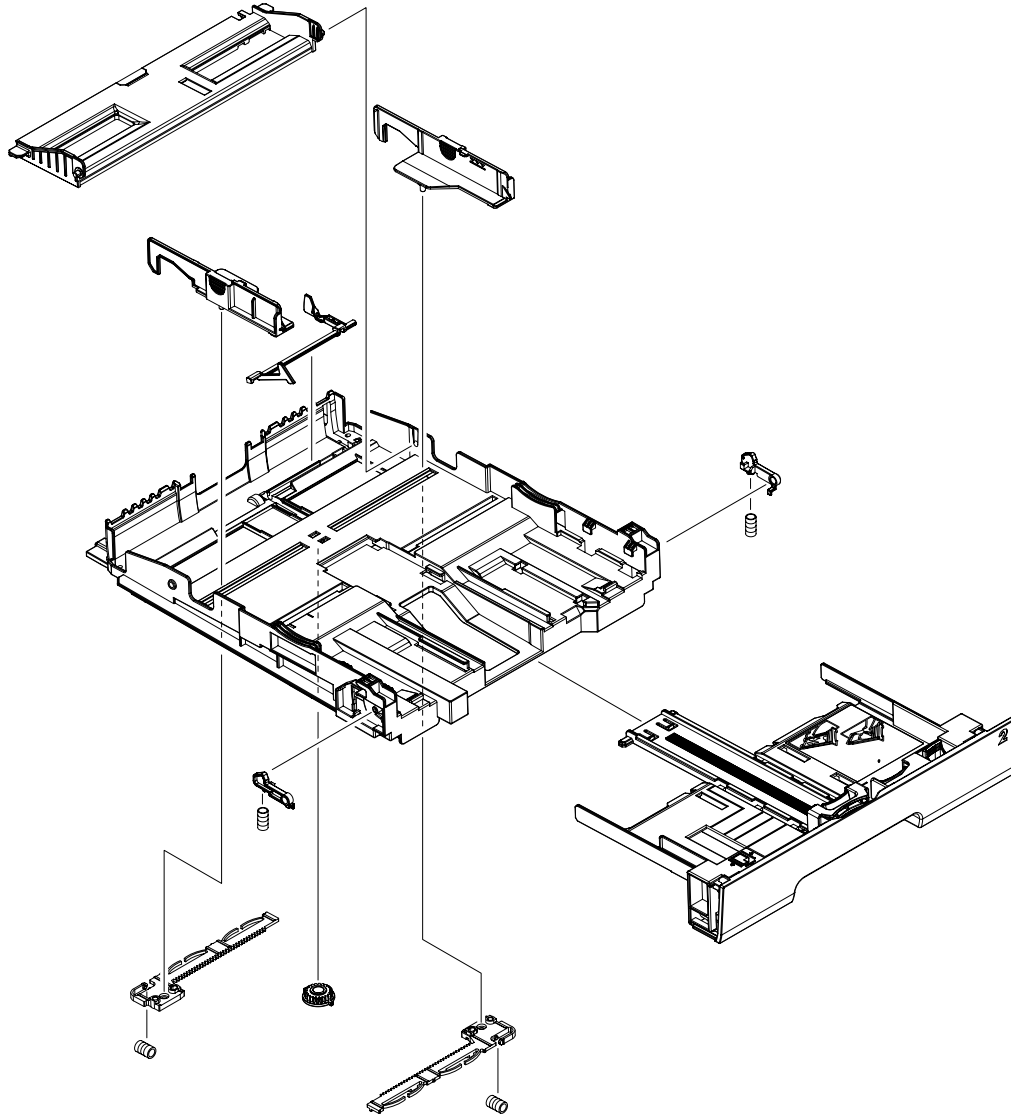


Table 8-9 Cassette

Ref	Description	Part number	Qty
All	Cassette, HP Color LaserJet CP1210	RM1-4439-000CN	1
All	Cassette, HP Color LaserJet CP1510	RM1-4440-000CN	1

Figure 8-8 Fuser assembly

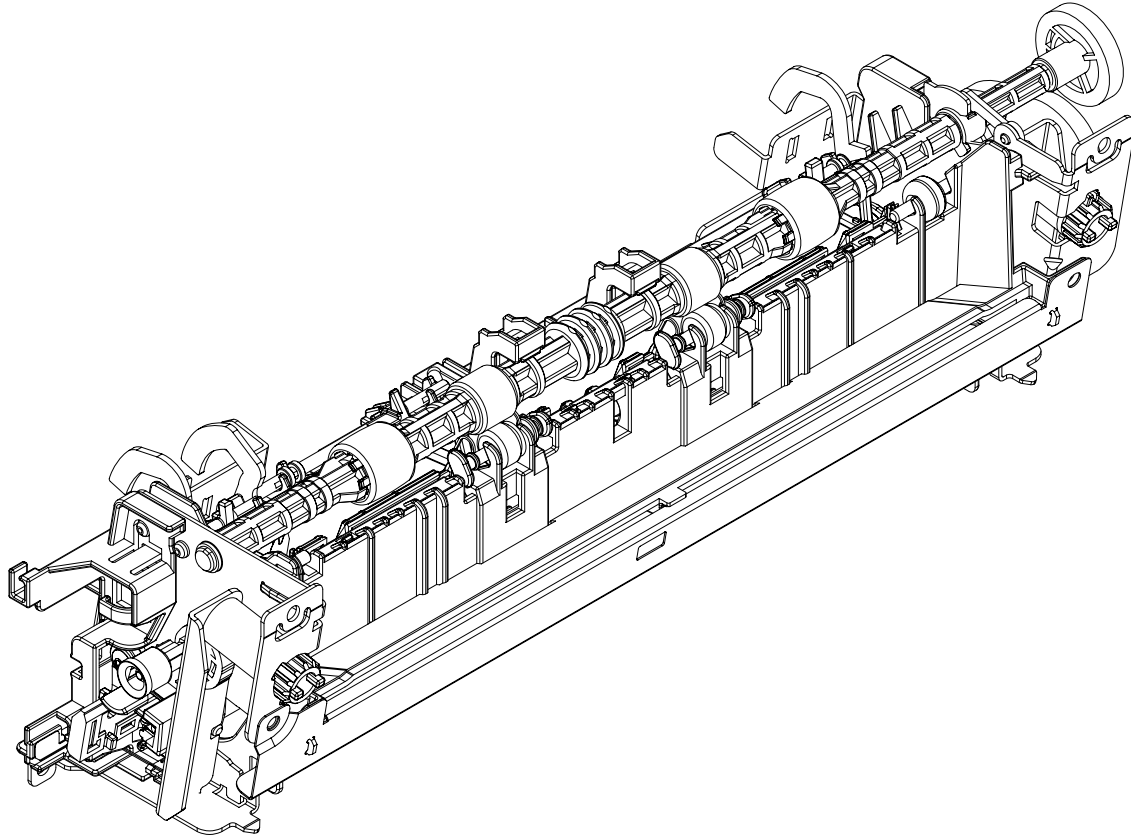


Table 8-10 Fuser assembly

Ref	Description	Part number	Qty
All	Fuser assembly (110V to 127V)	RM1-4430-000CN	1
All	Fuser assembly (220V to 240V)	RM1-4431-000CN	1

Figure 8-9 PCAs

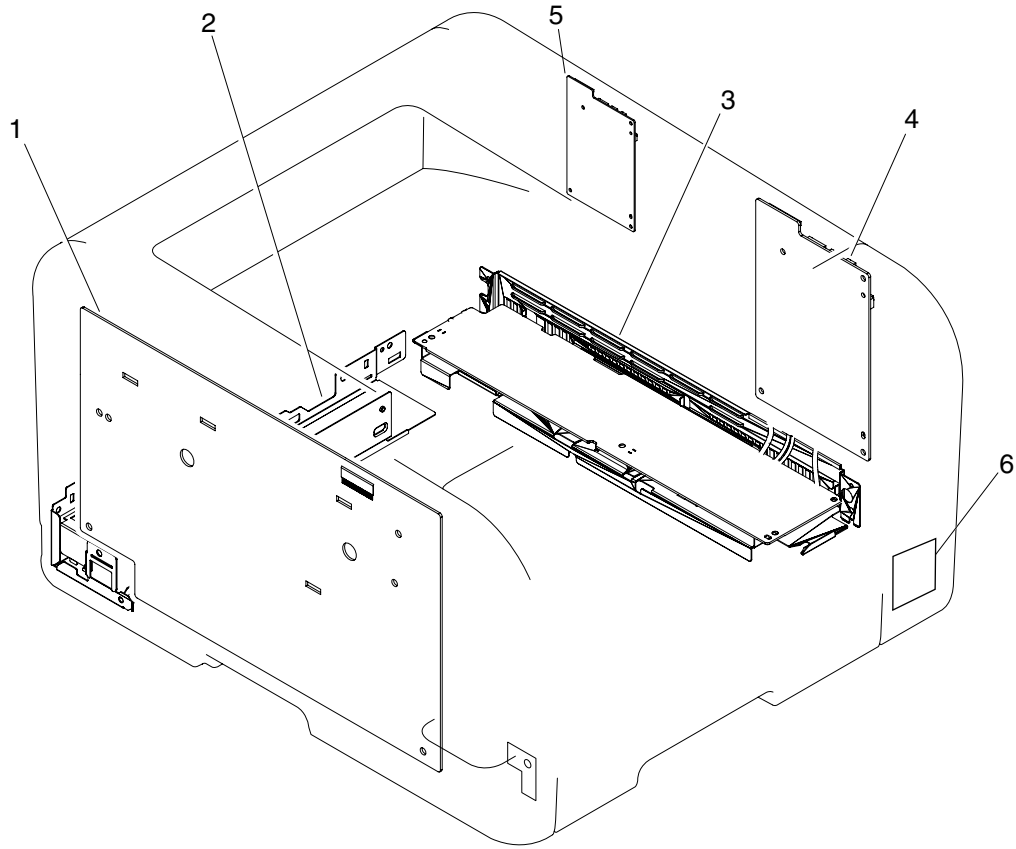


Table 8-11 PCAs

Ref	Description	Part number	Qty
1	Power supply, high voltage assembly	RM1-4689-000CN	1
2	Power supply, fuser assembly (110V to 127V)	RM1-4776-000CN	1
2	Power supply, fuser assembly (220V to 240V)	RM1-4777-000CN	1
3	Power supply, low-voltage assembly (110V to 127V)	RM1-4815-000CN	1
3	Power supply, low-voltage assembly (220V to 240V)	RM1-4816-000CN	1
4	DC controller PCA, HP Color LaserJet CP1210 Series	RM1-4813-000CN	1
4	DC controller PCA, HP Color LaserJet CP1510 Series	RM1-4811-000CN	1
5	Formatter PCA, HP Color LaserJet CP1210 Series	CB505-60001	1
5	Formatter PCA, HP Color LaserJet CP1510 Series	CB479-60001	1
6	Photo-card reader PCA, HP Color LaserJet CP1510ni only	CB434-600001	1